



The Model 3556 is a low power liquid crystal display loop powered 3½ digit indicator, and the model 4556 is a low power liquid crystal display loop powered 4½ digit indicator. Both are certified to be explosion proof.

Both models have jumper selectable display calibration and decimal point selection which allows for easy field setting of engineering units for pressure, flow, level, mass etc. Both models feature a low voltage drop on the loop as well as low quiescent current.

The model 4556 features a user adjustable temperature compensated display contrast setting which allows the instrument to be seen in varying environmental conditions.

FEATURES

- ❑ Explosion proof, sand-cast copper-free aluminium, corrosion resistant, "safety blue" polyester powder coated enclosure with tampered glass windows
- ❑ Certifications include NEMA 4X, 7BCD, 9EFG, Class I Groups BCD, Class II Groups E,F,G, Class III
- ❑ 4-20mA input
- ❑ 1999 display counts (Model 3556) , 19999 display counts (Model 4556)
- ❑ 12.7mm (Model 3556) ,10.2mm (Model 4556) Digit height liquid crystal display
- ❑ Voltage drop of only 2V on the loop at 20mA ,6V with backlighting (Model 3556)
- ❑ Voltage drop of only 4V on the loop at 20mA, 8V with backlighting (Model 4556)
- ❑ Backlighting option available
- ❑ No supply cabling
- ❑ Easy field mounting
- ❑ 3 year guarantee

ELECTRICAL SPECIFICATIONS

MODEL 3556:

Voltage drop on loop	Max 2V at 20mA, 6V with Backlight option
Accuracy	0.05% typical, 0.2% maximum
Linearity	0.1% of full scale
Temperature coefficient	± 30ppm / °C typical, ± 80ppm / °C maximum
Settling time	1 Second

MODEL 4556:

Voltage drop on loop	Max 4V at 20mA, 8V with Backlight option
Accuracy	0.05% typical, 0.2% maximum
Linearity	0.1% of full scale
Temperature coefficient	± 30ppm / °C typical, ± 80ppm / °C maximum
Settling time	1 Second

SPECIFICATIONS

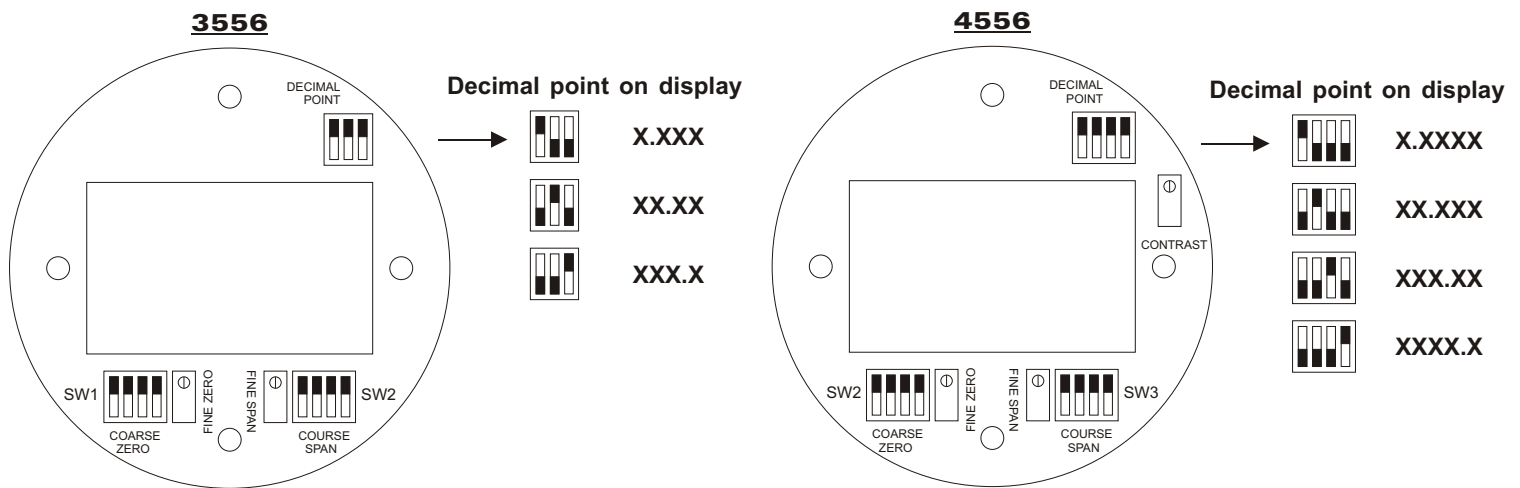
ENVIROMENTAL

Operating temperature range	-10 to +50°C
Service temperature range	-15 to +60°C
Storage temperature range	-40 to +80°C
Humidity	< 85% non-condensing

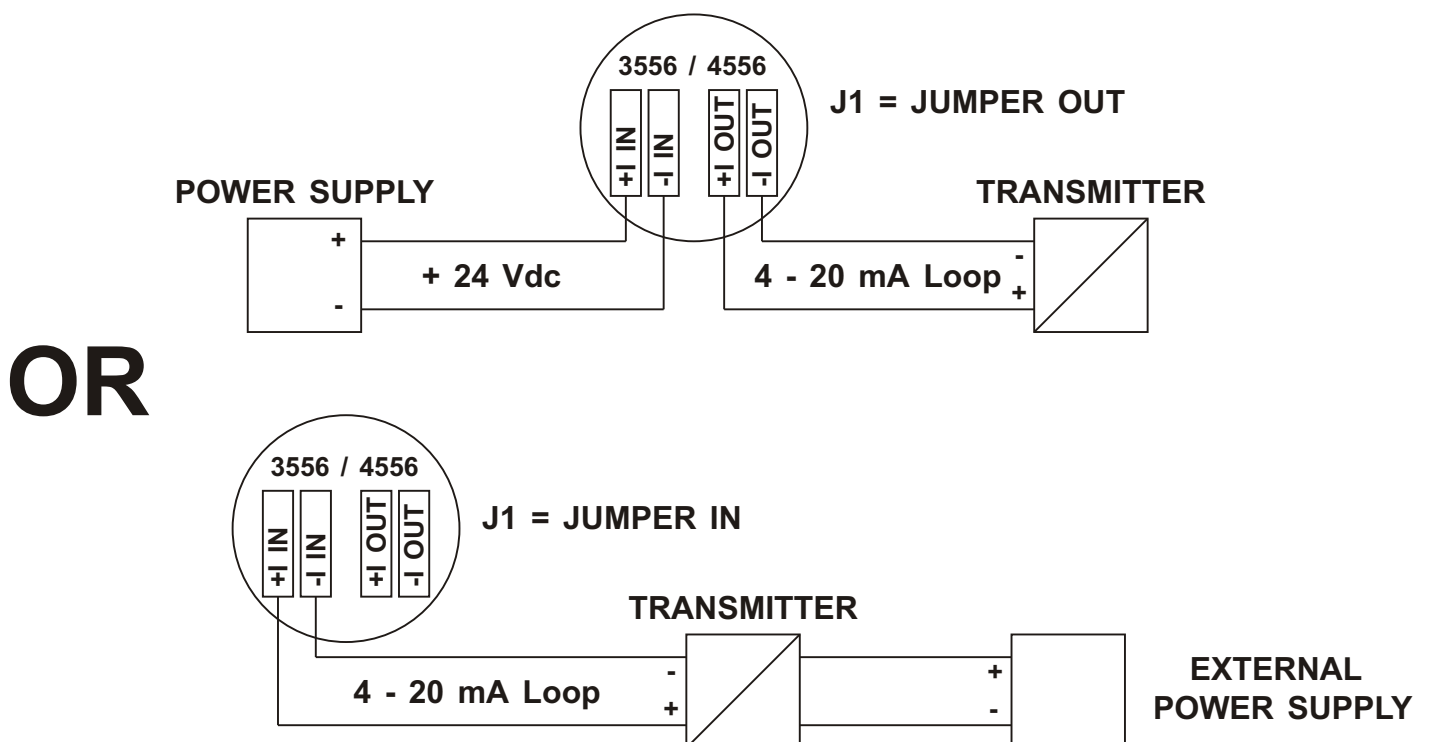
OPTIONS

Backlight available as an option and is factory fitted. Maximum volt drop on the loop with backlighting is 8V

PCB LAYOUT



CONNECTION DIAGRAM

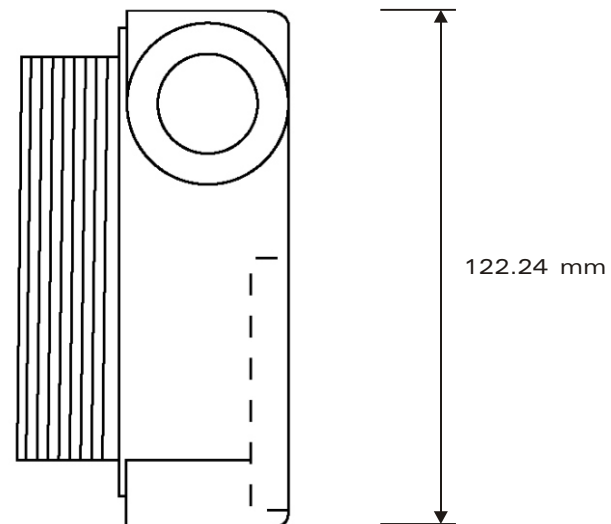
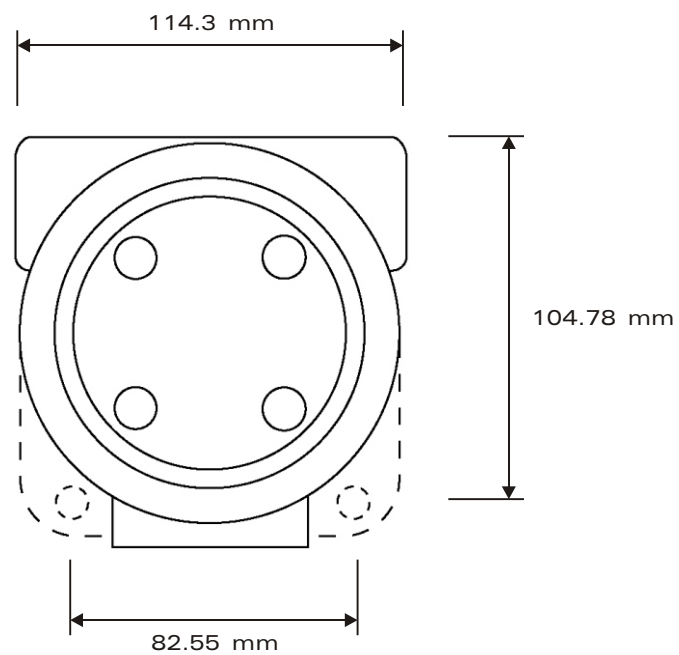
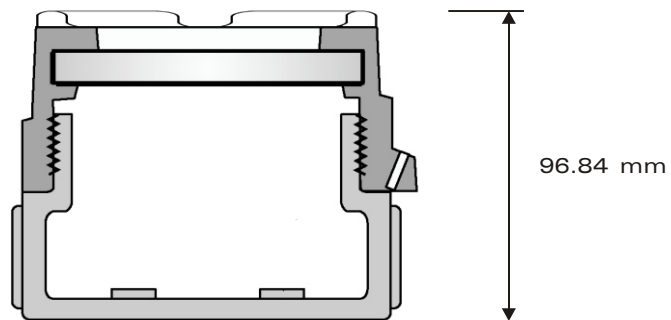


SPECIFICATIONS

ENCLOSURE

Explosion proof, cast aluminium, corrosion resistant, "safety blue" polyester powder coated with tampered glass window. IP66 rating..

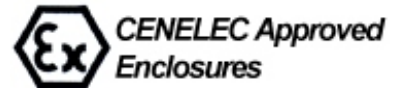
Certifications include NEMA 4X, 7BCD, 9EFG, Class I Groups BCD, Class II Groups E,F,G, Class III



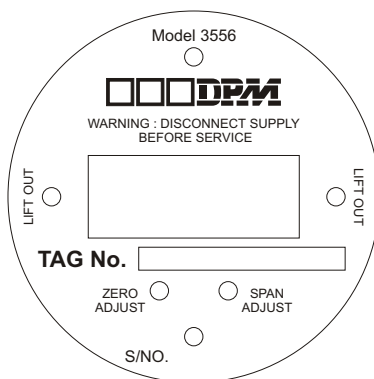
APPROVALS & WARNING

ENCLOSURE APPROVALS

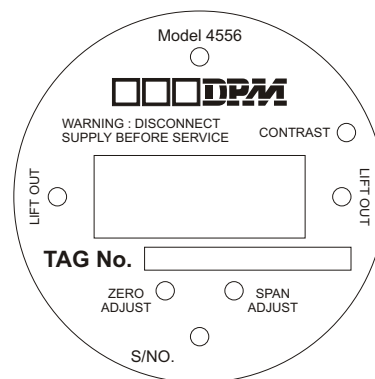
Explosion proof, sand-cast copper-free aluminium, corrosion resistant, "safety blue" polyester powder coated with tampered glass window. IP66 rating..
Certifications include NEMA 4X, 7BCD, 9EFG, Class I Groups BCD, Class II Groups E,F,G, Class III



LABEL



3556



4556

WARNING !

Make sure that all hazardous procedures are followed when any installation, setup or calibration is involved when using the described equipment. Disconnect power from all circuits before opening up the equipment. Calibration of the loop powered equipment should be done in a non-hazardous area prior to installation in a hazardous area.

GUARANTEE

This product is guaranteed against faulty workmanship or defective material, for a period of 3 (three) years from date of delivery by DPM.

DPM undertakes to replace without charge all defective equipment which is returned to it (transportation costs prepaid) during the period of guarantee, provided there is no evidence that the equipment has been abused or mishandled in any way.

DPM reserves the right to alter any specification without notice.

E-mail : info@dpm.co.za
Website: www.dpm.co.za



DISTRIBUTED BY: